



MASTER LEDspot LV AR111

MAS LEDspotLV D 11-50W 927 AR111 8D

Delivering a warm, halogen-like accent beam, MASTER LEDspot LV AR111 is an ideal retrofit solution for spot and general lighting applications in the hospitality and retail industry. It is particularly suitable for general lighting where the light is on all the time, such as creative accent lighting applications in shops, restaurants, hotels, and especially for galleries, exhibitions and museums. The robustly designed MASTER LEDspot LV AR111 offers various beam angles for a clearly defined beam spread. There is no UV or IR in the beam, making it suitable for illuminating heat-sensitive objects (food, organic materials, paintings, etc.). The patented intelligent driver enables broad compatibility with existing electromagnetic and electronic halogen transformers. MASTER LEDspot LV AR111 delivers huge energy savings and minimizes maintenance cost without any reduction in brightness.

Product data

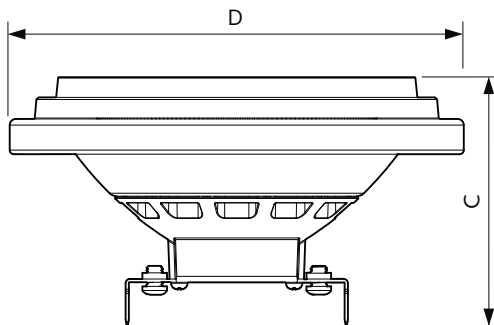
General Information		Luminous Efficacy (rated) (Nom)	
Cap-Base	G53 [G53]		54.55 lm/W
EU RoHS compliant	Yes	Color Consistency	<3
Nominal Lifetime (Nom)	40000 h	Color Rendering Index (Nom)	90
Switching Cycle	50000X	LLMF At End Of Nominal Lifetime (Nom)	70 %
Technical Type	11-50W	Operating and Electrical	
Light Technical		Input Frequency	- Hz
Color Code	927	Power (Rated) (Nom)	11 W
Beam Angle (Nom)	8 °	Lamp Current (Nom)	1300 mA
Luminous Flux (Nom)	600 lm	Wattage Equivalent	50 W
Luminous Intensity (Nom)	7800 cd	Starting Time (Nom)	0.5 s
Color Designation	Warm White (WW)	Warm Up Time to 60% Light (Nom)	0.5 s
Correlated Color Temperature (Nom)	2700 K	Power Factor (Nom)	0.7

MASTER LEDspot LV AR111

Voltage (Nom)	12 V
Temperature	
T-Case Maximum (Nom)	70 °C
Controls and Dimming	
Dimmable	Yes
Approval and Application	
Energy Efficiency Label (EEL)	A
Suitable For Accent Lighting	Yes
Energy Consumption kWh/1000 h	13 kWh

Product Data	
Full product code	871869670725800
Order product name	MAS LEDspotLV D 11-50W 927 AR111 8D
EAN/UPC - Product	8718696707258
Order code	929001243908
Numerator - Quantity Per Pack	1
Numerator - Packs per outer box	6
Material Nr. (12NC)	929001243908
Net Weight (Piece)	0.360 kg

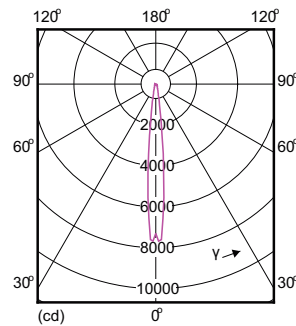
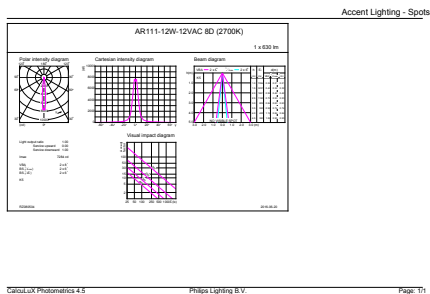
Dimensional drawing



Product	D	C
MAS LEDspotLV D 11-50W 927 AR111 8D	111 mm	62 mm

AR111 Silver 11W-50W 600lm 8D 2700K G53D

Photometric data

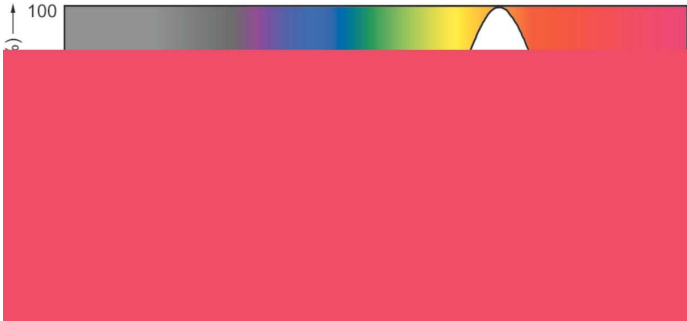


LED Lamps, MAS LEDspotLV D 11-50W AR111 G53 827 8D

LED Lamps, MAS LEDspotLV D 11-50W AR111 G53 827 8D

MASTER LEDspot LV AR111

Photometric data

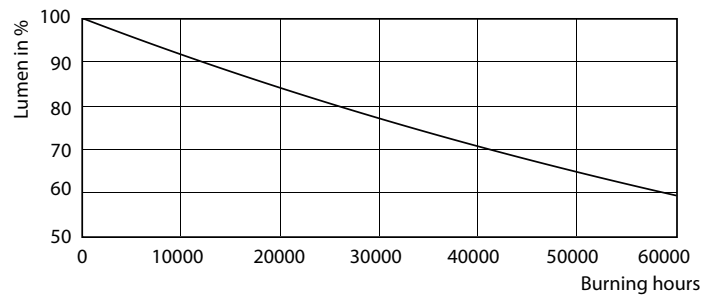


11-50W AR111 /927

Lifetime



MASTER LEDspotLV AR111 75W G53 940 40D



MASTER LEDspotLV AR111 75W G53 940 40D

