



MASTER LEDspot LV AR111

MAS LEDspotLV D 11-50W 927 AR111 40D

Delivering a warm, halogen-like accent beam, MASTER LEDspot LV AR111 is an ideal retrofit solution for spot and general lighting applications in the hospitality and retail industry. It is particularly suitable for general lighting where the light is on all the time, such as creative accent lighting applications in shops, restaurants, hotels, and especially for galleries, exhibitions and museums. The robustly designed MASTER LEDspot LV AR111 offers various beam angles for a clearly defined beam spread. There is no UV or IR in the beam, making it suitable for illuminating heat-sensitive objects (food, organic materials, paintings, etc.). The patented intelligent driver enables broad compatibility with existing electromagnetic and electronic halogen transformers. MASTER LEDspot LV AR111 delivers huge energy savings and minimizes maintenance cost without any reduction in brightness.

Product data

| General Information | |
|------------------------------------|-----------------|
| Cap-Base | G53 [G53] |
| EU RoHS compliant | Yes |
| Nominal Lifetime (Nom) | 40000 h |
| Switching Cycle | 50000X |
| Technical Type | 11-50W |
| Light Technical | |
| Color Code | 927 |
| Beam Angle (Nom) | 40 ° |
| Luminous Flux (Nom) | 620 lm |
| Luminous Intensity (Nom) | 1100 cd |
| Color Designation | Warm White (WW) |
| Correlated Color Temperature (Nom) | 2700 K |

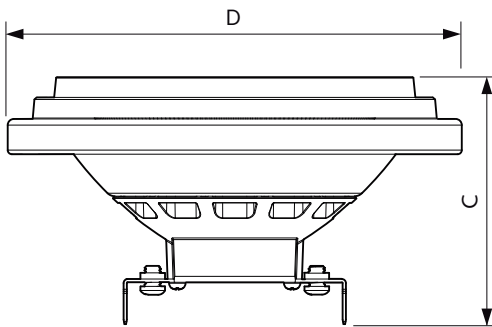
| Luminous Efficacy (rated) (Nom) | 56.36 lm/W |
|---------------------------------------|--------------------|
| Color Consistency | <6 |
| Color Rendering Index (Nom) | 90 |
| LLMF At End Of Nominal Lifetime (Nom) | 70 % |
| Luminous Flux in 90° Cone (Rated) | 550 lm |
| Operating and Electrical | |
| Input Frequency | - Hz |
| Power (Rated) (Nom) | 11 W |
| Lamp Current (Nom) | 1300 mA |
| Wattage Equivalent | 50 W |
| Starting Time (Nom) | 0.5 s |
| Warm Up Time to 60% Light (Nom) | instant full light |
| Power Factor (Nom) | 0.7 |

MASTER LEDspot LV AR111

| | |
|---------------------------------|--------|
| Voltage (Nom) | 12 V |
| Temperature | |
| T-Case Maximum (Nom) | 70 °C |
| Controls and Dimming | |
| Dimmable | Yes |
| Approval and Application | |
| Energy Efficiency Label (EEL) | A |
| Suitable For Accent Lighting | Yes |
| Energy Consumption kWh/1000 h | 13 kWh |

| | |
|---------------------------------|--------------------------------------|
| Product Data | |
| Full product code | 871869651512900 |
| Order product name | MAS LEDspotLV D 11-50W 927 AR111 40D |
| EAN/UPC - Product | 8718696515129 |
| Order code | 929001170008 |
| Numerator - Quantity Per Pack | 1 |
| Numerator - Packs per outer box | 6 |
| Material Nr. (12NC) | 929001170008 |
| Net Weight (Piece) | 0.360 kg |

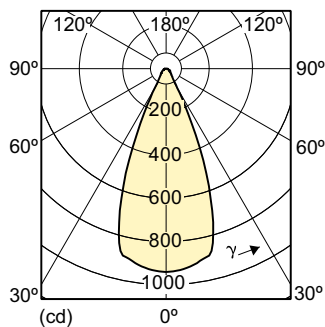
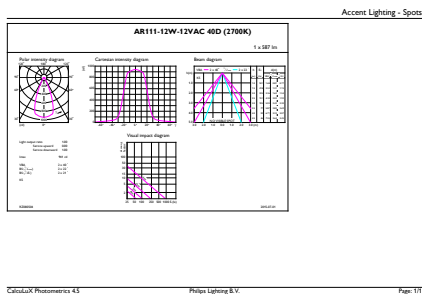
Dimensional drawing



LED D 11-50W 927 AR111 40D

| Product | D | C |
|--------------------------------------|--------|-------|
| MAS LEDspotLV D 11-50W 927 AR111 40D | 111 mm | 62 mm |

Photometric data

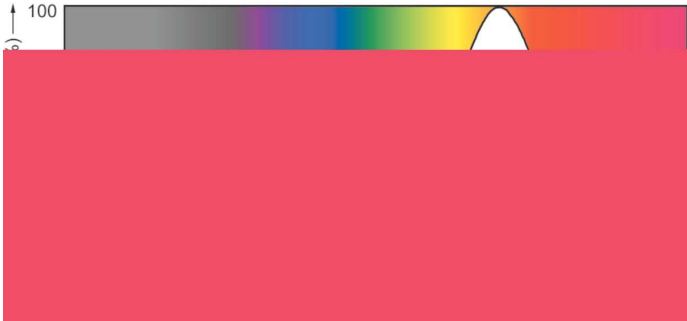


MASTER LEDspot LV AR111 50W G53 927 40D

11-50 W GX53 /927 AR111 40D

MASTER LEDspot LV AR111

Photometric data



11-50W AR111 /927

Lifetime



MASTER LEDspotLV AR111 75W G53 940 40D



MASTER LEDspotLV AR111 75W G53 940 40D

