



MasterColor CDM-TM

CDM 35/TM/930

Introducing the smallest 20W ceramic metal halide lamp together with the unique e-Vision® electronic ballast. It's visually pleasing and financially rewarding, so the focus can be on your merchandise and not the ceiling clutter.

Product data

General Information	
Cap-Base	PGJ5 [PGJ5]
Operating Position	UNIVERSAL [Universal]
Life to 5% Failures (Nom)	9000 h
Life To 10% Failures (Nom)	10000 h
Life to 20% Failures (Nom)	11000 h
Life to 50% Failures (Nom)	12000 h
Light Technical	
Color Code	930 [CCT of 3000K]
Luminous Flux (Rated) (Nom)	3000 lm
Color Designation	Warm White (WW)
Lumen Maintenance 1000 h (Nom)	85 %
Lumen Maintenance 10000 h (Nom)	60 %
Lumen Maintenance 2000 h (Nom)	80 %
Lumen Maintenance 5000 h (Nom)	70 %
Chromaticity Coordinate X (Nom)	0.436
Chromaticity Coordinate Y (Nom)	0.396
Correlated Color Temperature (Nom)	3000 K
Luminous Efficacy (rated) (Nom)	77 lm/W
Color Rendering Index (Min)	88
Color Rendering Index (Nom)	91

Operating and Electrical	
Power (Rated) (Nom)	39.1 W
Lamp Current Run-Up (Max)	0.7 A
Re-Ignition Time (Min) (Max)	15 min
Ignition Time (Max)	30 s
Voltage (Max)	104 V
Voltage (Min)	88 V
Voltage (Nom)	96 V
Controls and Dimming	
Dimmable	No
Run-Up Time 90% (Max)	3 min
Mechanical and Housing	
Bulb Finish	Clear
Approval and Application	
Energy Efficiency Label (EEL)	A
Mercury (Hg) Content (Nom)	2.74 mg
Energy Consumption kWh/1000 h	43 kWh
UV	
Pet (Niosh) (Min)	8 h/500lx

MasterColor CDM-TM

Damage Factor D/fc (Max)	0.4
--------------------------	-----

Luminaire Design Requirements

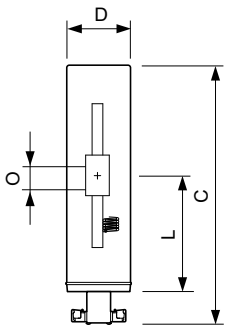
Bulb Temperature (Max)	480 °C
Cap-Base Temperature (Max)	250 °C

Product Data

Order product name	CDM 35/TM/930
EAN/UPC - Product	046677211394

Order code	928093905115
Numerator - Quantity Per Pack	1
Numerator - Packs per outer box	12
Material Nr. (12NC)	928093905115
Net Weight (Piece)	0.006 kg
ILCOS Code	MT/UB-35/930-H/L-PGJ5-13.3/52

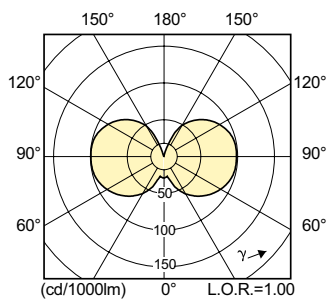
Dimensional drawing



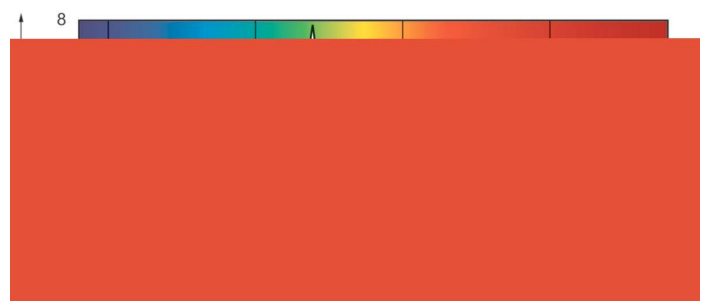
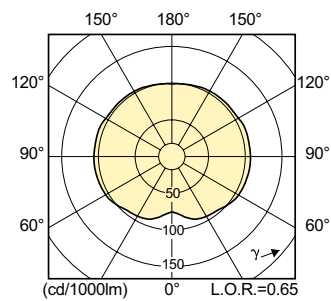
CDM-Tm 35W/930 PGJ5

Product	D (max)	D	O	L (min)	L (max)	L	C (max)
CDM 35/TM/930	13.2 mm	0.44 in	4 mm	22.3 mm	22.9 mm	22.6 mm	52 mm

Photometric data



CDM-Tm 35W /930 PGJ5



MASTERColour CDM-Tm Mini /830 & /930

MasterColor CDM-TM

Lifetime



CDM-Tm Elite 35W Life Expectancy /930 PGJ5

CDM-Tm Elite 35W Lumen Maintenance /930 PGJ5

