

DuraLED Well Glass

BY300P LED 37S CW PSU S1 PC SPD

DuraLED well glass is designed to replace traditional Well Glass up to 70W with only 50% of the load for similar illumination. It is a perfect LED solution for outdoor application and industry of harsh condition like power plant, metal, and non-hazardous area in chemical and petrochemical industry. Compared to conventional HID Well Glass, it improves reliability, comfort, while reducing energy and maintenance cost dramatically. DuraLED Well Glass comes with 2 different mounting, Wall bracket (2 types) & Eye-bolt and comes with 2 color temperature and 2 lumen outputs.

Warnings and Safety

- Meant for use in Indoor Industrial environment only

Product data

General Information	
Beam angle of light source	120 °
Light source color	865 cool daylight
Driver included	Yes
Optic type	120 [Beam angle 120°]
Optical cover/lens type	O-PC [Opal diffuser in polycarbonate cover]
Luminaire light beam spread	120°
Control interface	-
Protection class IEC	Safety class I (I)
Flammability mark	F [For mounting on normally flammable surfaces]
Warranty period	2 years
Material	Aluminum
Light source engine type	LED

Operating and Electrical	
Input Voltage	120 to 277 V
Input Frequency	50 Hz
Power Factor (Min)	0.95
Controls and Dimming	
Dimmable	No
Mechanical and Housing	
Housing Material	Aluminium pressure die cast
Optic material	Polycarbonate
Optical cover/lens material	Polycarbonate
Mounting device	MBW [Wall-mounting bracket]
Color	Gray

DuraLED Well Glass

Approval and Application

Ingress protection code	IP65 [Dust penetration-protected, jet-proof]
Mech. impact protection code	IK08 [5 J vandal-protected]
Surge Protection (Common/Differential)	Surge protection level until 4 kV

Initial Performance (IEC Compliant)

Initial luminous flux (system flux)	3700 lm
Initial LED luminaire efficacy	120 lm/W
Init. Corr. Color Temperature	6500 K
Init. Color Rendering Index	>80
Initial chromaticity	SDCM<5
Initial input power	33 W
Power consumption tolerance	+/-10%

Over Time Performance (IEC Compliant)

Median useful life L70B50	50000 h
---------------------------	---------

Application Conditions

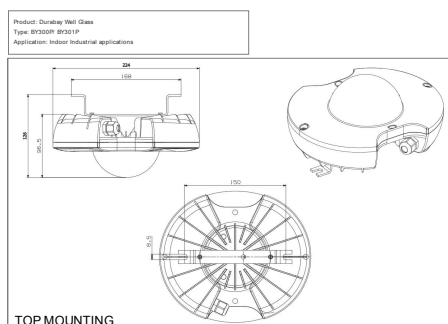
Ambient temperature range	0 to +45 °C
---------------------------	-------------

Product Data

Order product name	BY300P LED 37S CW PSU S1 PC SPD
Order code	919515812332
Numerator - Quantity Per Pack	1
Numerator - Packs per outer box	1
Material Nr. (12NC)	919515812332
Net Weight (Piece)	1.000 kg



Dimensional drawing



Indoor Luminaires

