

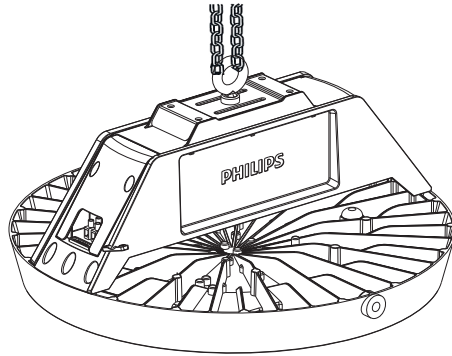
LED HIGHBAY

Installation Instruction

Dimensions

Indoor Luminaire

I Bolt Mounting



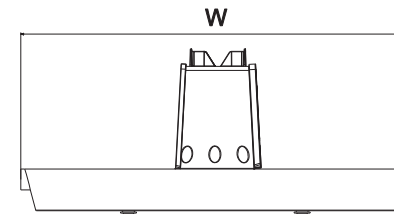
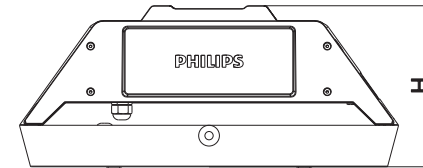
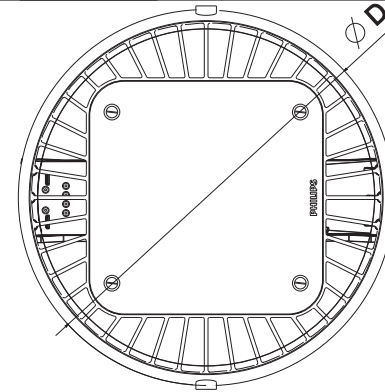
TYPE	: BY416P
LAMP	: LED
VOLTAGE	: 240 V, 50 Hz
IP CLASSIFICATION	: IP 65
NET WEIGHT	: 8.0 Kg.
MAX. PROJECTED AREA	: 0.16 m ²
CCT	: 5700K
APPLICATION	: INDUSTRIAL HIGHBAY

IP-65

Ta-45

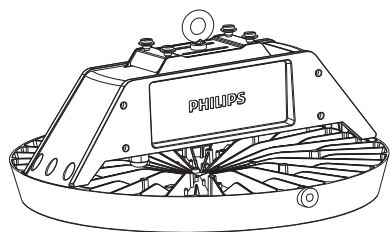


TYPE	DIMENSIONS(mm)		
	D	W	H
	456	466	194

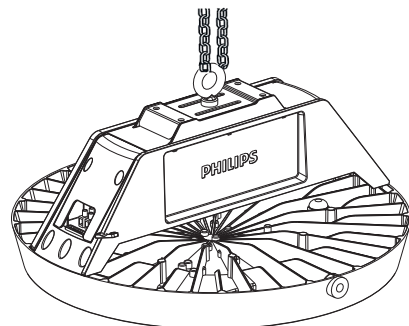


PHILIPS

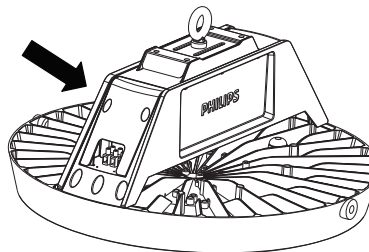
- 1 Take the luminaire out of Packing Box & lift up to the assembly location.



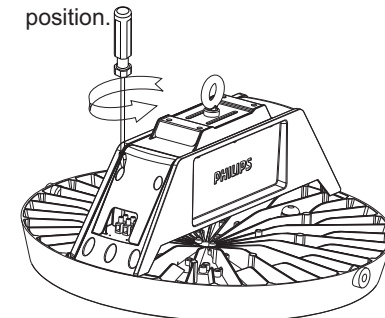
- 2 Hang the luminaire by suitable means.



- 6 After connections, fit plastic cover snaps first and then position it in right manner for assembly.

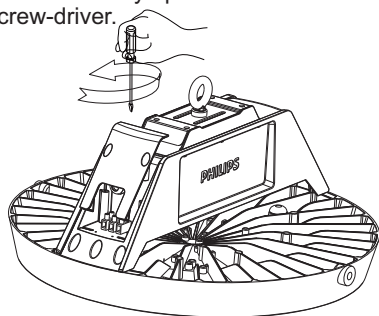


- 7 After positioning assemble the plastic cover & rotate the luminaire to its initial position.

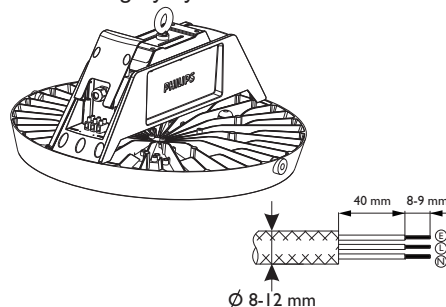


 Notice: Product is ready to lit.

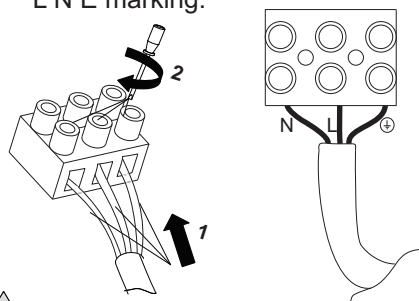
- 3 Rotate the luminaire so that plastic cover towards the installer for ease of installation/ maintenance. Remove the plastic cover by open 2 screws with screw-driver.



- 4 Insert the main wire and make connections to Pole connector & put it through wire clamp.
** Plastic cover is connected to driver housing by nylon thread.

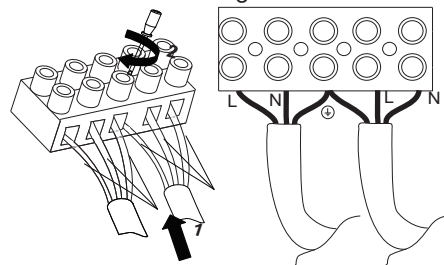


- 5a For one way connections:
Make the electrical connections in 3 pole connectors as per the L N E marking.



 Notice: Correct connection for polarities

- 5b For LILO connections:
Make the electrical connections in 5 pole connectors as per the L-N-E-L-N marking.



 Notice: Correct connection for polarities

8

CAUTION

1. Ensure connections in right manner.
2. Ensure 3 core CABLE for Connections(diameter 8-12mm)
3. 3 Core cable should be properly connected with the help of wire clamp.
4. Ensure I bolt mounting properly with specified load(safety issue)
5. Ensure proper positioning of Cover Plastic before assembly.
6. Use 10KV SPD to protect from Surge

FAILURE OF PRODUCT DUE TO NON COMPLIANCE TO ANY OF THE ABOVE,
VOIDS WARRANTY OF PRODUCT