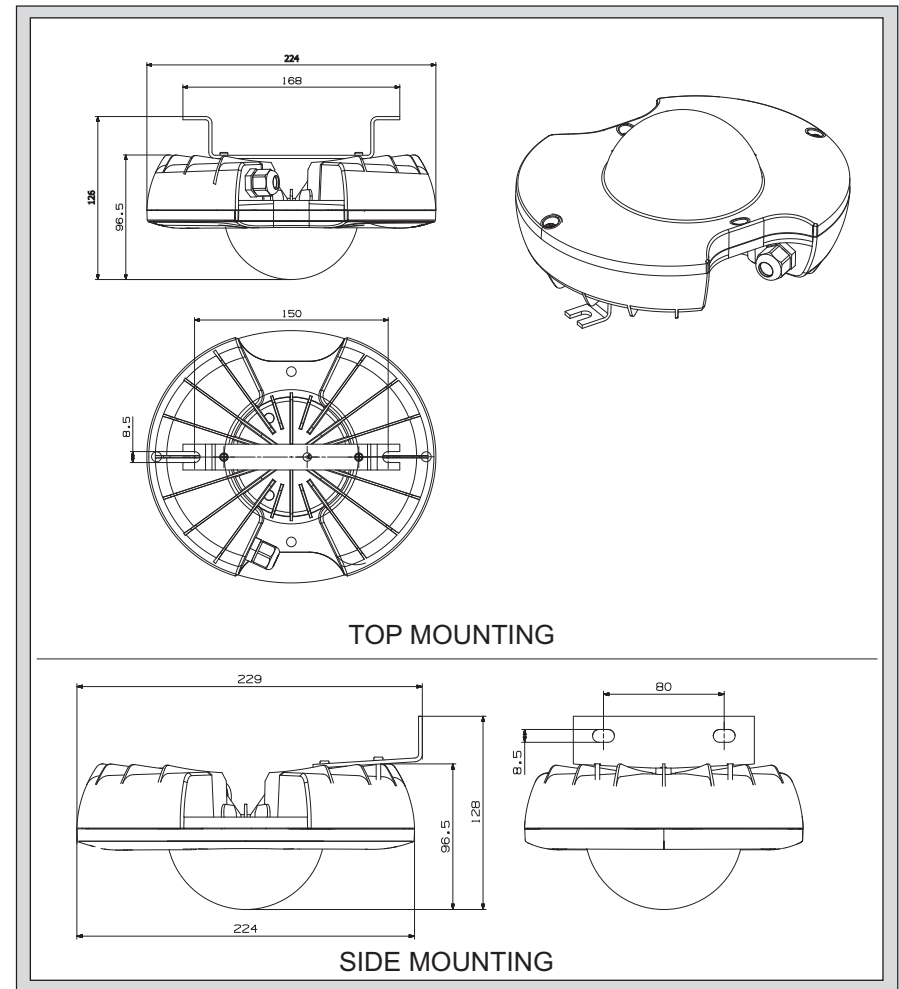


LED WELL GLASS

Industrial Luminaire



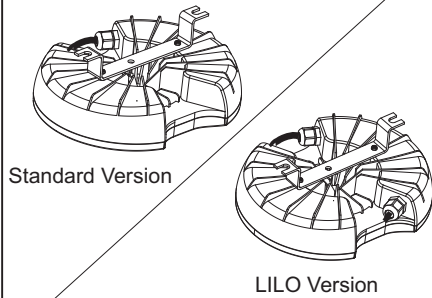
Type : BY300P
Lamp : 36 LED
Voltage : 240 V, 50 Hz
IP Classification : IP 65
Net Weight : 1.2 kgs
Max. Projected Area : 0.038 m²

IP-65

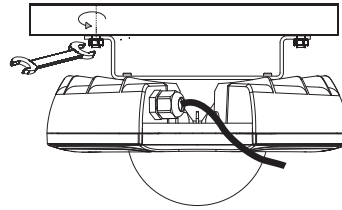
ta
45°



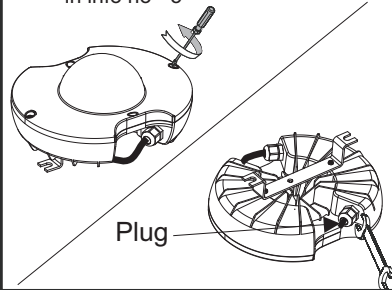
1 Take the product out of the packing box.



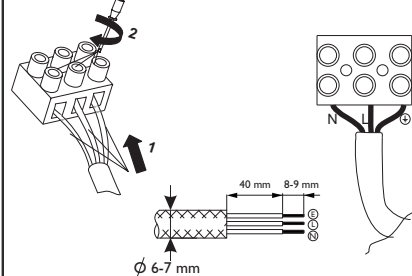
2 Fix the luminaire with top mounting bracket by use M8 screws & Washer



3 LILO wiring - In case of LILO, open all four screws of the diffuser. Remove rubber plug and put 3 core cable thru gland. Do the connection mentioned in info no - 5



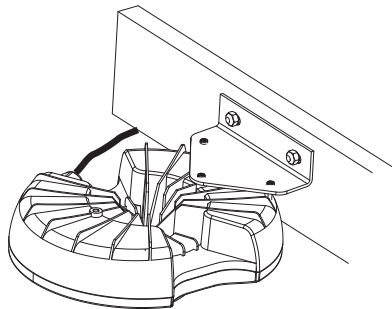
4 Make the electrical connections in 3 pole connector as per the LN marking. Use 0.75 sq mm cable.



⚠ Notice: Correct connection for polarities

Luminaire with Side Mounting bracket

Fix the luminaire to the side wall with suitable M8 bolts, nuts & washers.



Caution

1. Ensure Earthing is connected.
2. Ensure 3 core CABLE for Connections (diameter 6-7mm)
3. Cable Entry gland should be properly tightened.
4. Product should be operated between 160-270V a.c.
5. Use Surge protection (upto 10kV) to protect against surges
Use type B+C surge type SPD in distribution box to arrest switching and lighting surges.

FAILURE OF PRODUCT DUE TO NON COMPLIANCE TO ANY OF THE ABOVE, VOIDS WARRANTY OF PRODUCT