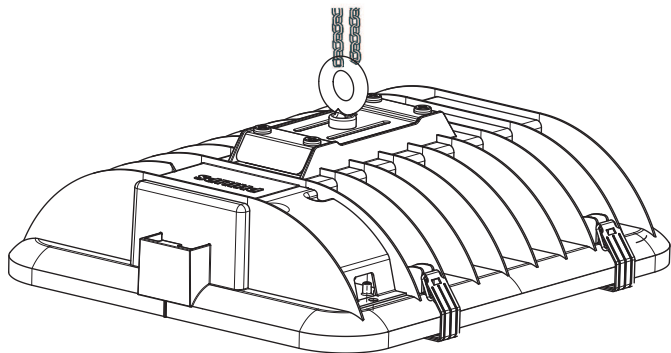


LED HIGHBAY

Installation Instruction

Philips
Lighting



TYPE	: BY325P
LAMP	: LED
VOLTAGE	: 240 V, 50 Hz
IP CLASSIFICATION	: IP 66
NET WEIGHT	: 5.8 Kg.
MAX. PROJECTED AREA	: 0.1 m ²
CCT	: 6500 K
APPLICATION	: LED HIGHBAY

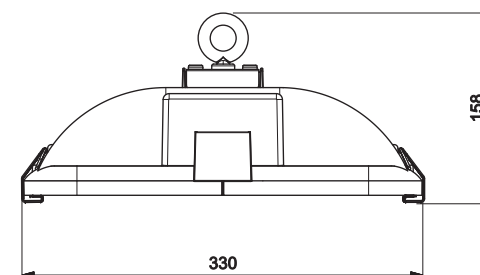
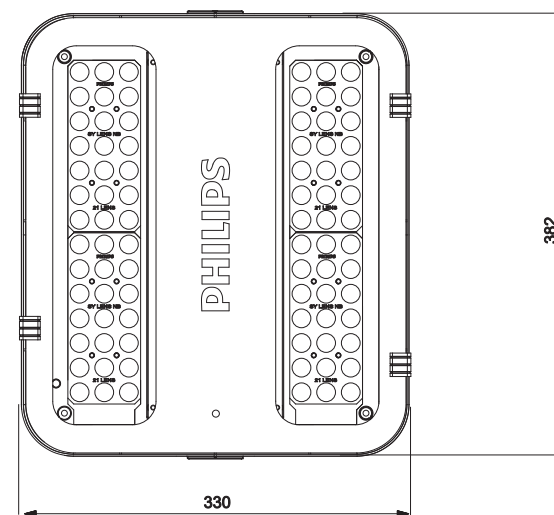
IP-66

Ta-45



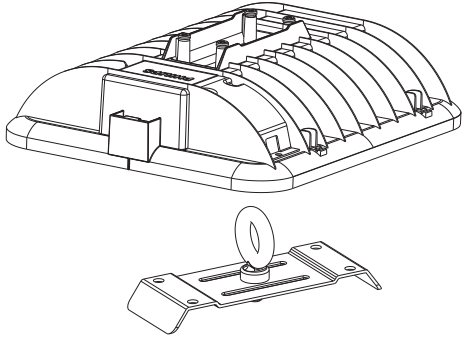
Dimensions

Indoor Luminaire

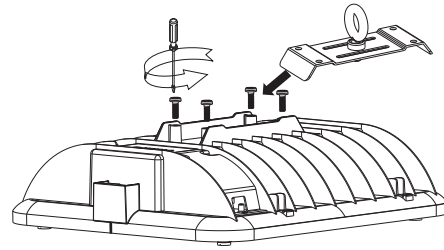


PHILIPS

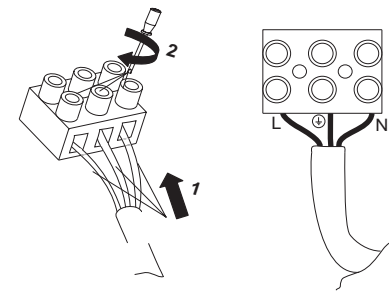
- 1 Take the luminaire and mounting assembly accessories out of the packing box.



- 2 Open four screws of Housing assembly with screw driver and assemble mounting bracket assembly with Housing assembly.

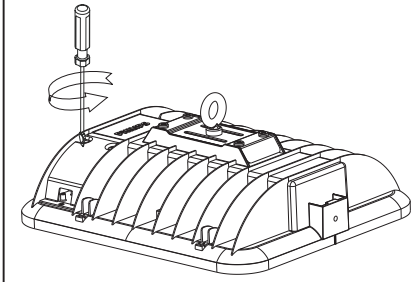


- 7 Make the electrical connections in 3 pole connectors as per the L-N-E marking.

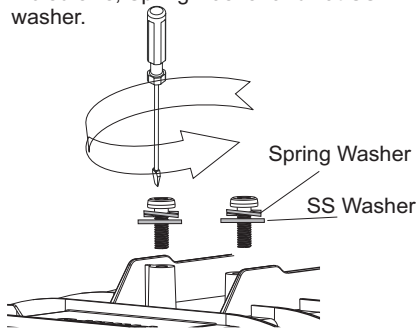


⚠ Notice: Correct connection for polarities

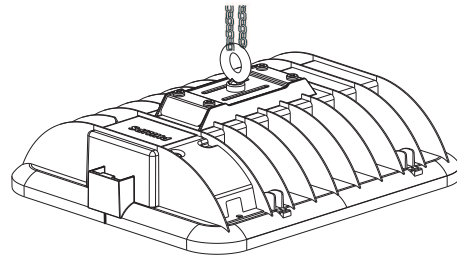
- 8 After connections, close the Connection cover with the help of 3 screws & rotate the luminaire to its initial position.



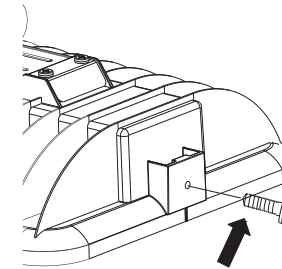
- 3 Follow the below mention sequence for assembly of Mounting bracket with four M6 screws, Spring washer and flat SS washer.



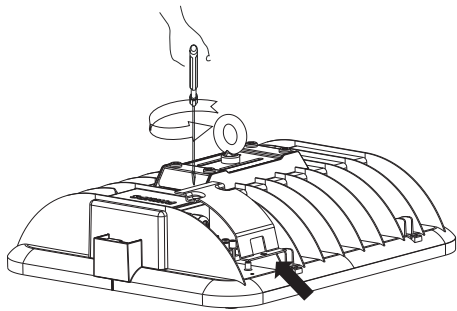
- 4 Hang the luminaire by suitable means.



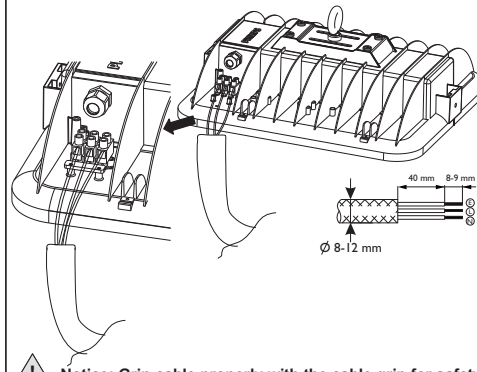
ADDITIONAL SAFETY PROVISION:- Safety chain can be fixed using a M6 screw and washer at the location shown below. (Safety Chain & Screw are not part of luminaire supply)



- 5 Rotate the luminaire so that connection cover faces towards the installer for ease of installation/ maintenance. Remove the connection cover by open 3 screws with screw-driver.



- 6 Insert the main wire and give L-N-E connections to the 3 Pole connector.



⚠ Notice: Grip cable properly with the cable grip for safety

9

CAUTION

1. Ensure L-N-E is connected in right manner.
2. Ensure 3 core CABLE for Connections(Outer diameter 8-12mm multi strand 1.2 sq. mm thk.)
3. 3 Core cable should be properly connected with ground & pass through cable clamp properly.
4. Ensure mounting bracket assembly to be fix by four M6 screws at 10-12 N-m torque.
5. Ensure I bolt mounting properly with specified load(safety issue)
6. Luminaire must be brought down from the mounting position for maintenance.

FAILURE OF PRODUCT DUE TO NON COMPLIANCE TO ANY OF THE ABOVE, VOIDS WARRANTY OF PRODUCT