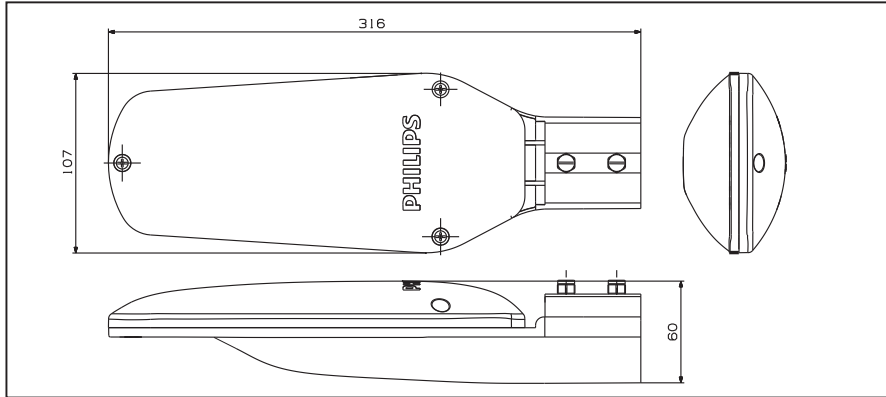


Dimensions



Installation

1. Connect the red wire to live, Black wire to Neutral and the Green-yellow wire to ground. After joining Properly insulate the wires using good quality Electrical insulation tape.
2. Unfasten the Check nuts and loosen the mounting screws to the required height as per the pole size.(Fig 1)
3. Insert the pole up to the position shown in the drawing below (Fig 2)
4. Tighten both the mounting screws with tightening torque of 4Nm and then tighten the Check nuts fully (Fig 3).

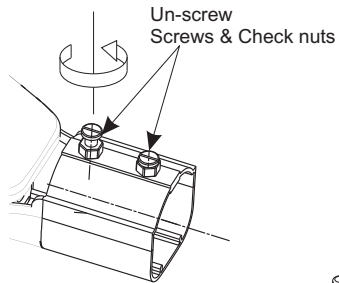


FIG:1

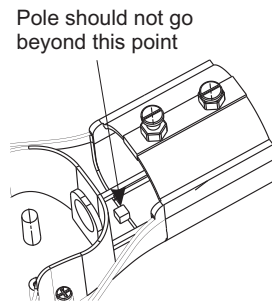


FIG:2

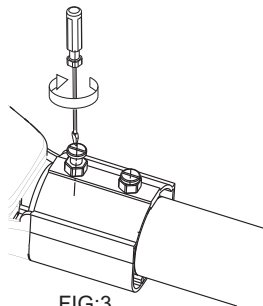


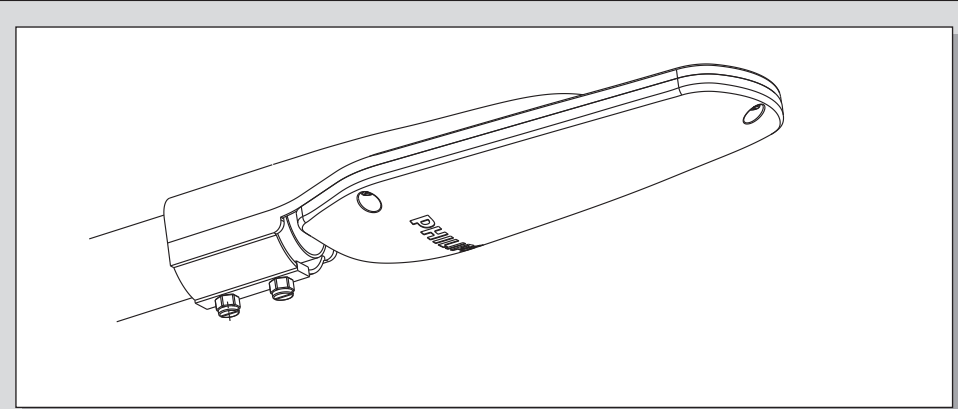
FIG:3

Philips Lighting India Limited

Installation Instruction

BRP 042

Street Lighting Luminaire



Type	:	BRP042
Light Source	:	LED's
Voltage	:	240 V, 50 Hz
IP Classification	:	IP-65
Net Weight	:	0.8 kg
Max. Projected Area	:	.03 m ²
Application	:	Outdoor use only
Mounting position	:	Horizontal
Application height	:	Upto 6m
Pole Outer Diameter	:	32-40mm

PHILIPS

CAUTION

1. Ensure Earthing is connected.
2. Ensure 3 core CABLE for Connections(diameter 5-7mm)
3. Cable Entry gland should be properly tightened.
4. Product should be operated between 100-300V a.c.
5. Use Surge protection (upto 10kV) to protect against surges
Use Type B+C surge type SPD in distribution box to arrest switching and lighting surges.

FAILURE OF PRODUCT DUE TO NON COMPLIANCE TO ANY OF THE ABOVE,
VOIDS WARRANTY OF PRODUCT