



MASTER LEDspot ExpertColor LV

MASTER LED MR16 ExpertColor 6.7-50W 927 36D

MASTER LEDspot LV ExpertColor creates a warm and comfortable ambience for hospitality venues, homes and restaurants. It creates such an ambience with superior lighting that has a customized spectrum, high CRI, and deep dimming feature. The result? A beautiful lighting experience. What's more, the innovative, trimless lens design will suit almost any interior decor with its clean and neat look. In addition, you can take advantage of the full ExpertColor family, which also includes LEDspot MV and LEDspot Par lamps.

Product data

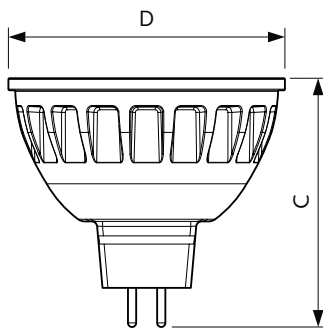
| General information | | Operating and electrical | |
|---------------------------------------|---------------------|---------------------------------|----------------------------|
| Cap-Base | GU5.3 [GU5.3] | Input Frequency | - Hz |
| EU RoHS compliant | Yes | Power (Rated) (Nom) | 6.7 W |
| Nominal Lifetime (Nom) | 40000 h | Lamp Current (Nom) | 650 mA |
| Switching Cycle | 50000 | Wattage Equivalent | 50 W |
| Light technical | | Starting Time (Nom) | 0.5 s |
| Color Code | 927 [CCT of 2700K] | Warm Up Time to 60% Light (Nom) | 0.5 s |
| Beam Angle (Nom) | 36 ° | Power Factor (Nom) | 0.7 |
| Luminous Flux (Nom) | 450 lm | Voltage (Nom) | ac electronic 12 V |
| Luminous Intensity (Nom) | 1350 cd | Temperature | |
| Color Designation | Warm White (WW) | T-Case Maximum (Nom) | 92 °C |
| Correlated Color Temperature (Nom) | 2700 K | Controls and dimming | |
| Luminous Efficacy (rated) (Nom) | 67.00 lm/W | Dimmable | Only with specific dimmers |
| Color Consistency | <3 | | |
| Color Rendering Index (Nom) | 97 | | |
| LLMF At End Of Nominal Lifetime (Nom) | 70 % | | |

MASTER LEDspot ExpertColor LV

| | |
|---------------------------------|---|
| Mechanical and housing | |
| Bulb Shape | MR16 [2inch/50mm] |
| Approval and application | |
| Suitable For Accent Lighting | Yes |
| Product data | |
| Full product code | 871951435717400 |
| Order product name | MASTER LED MR16 ExpertColor 6.7-50W 927 36D |

| | |
|---------------------------------|---------------|
| EAN/UPC - Product | 8719514357174 |
| Order code | 929003077308 |
| Numerator - Quantity Per Pack | 1 |
| Numerator - Packs per outer box | 10 |
| Material Nr. (12NC) | 929003077308 |
| Net Weight (Piece) | 0.052 kg |

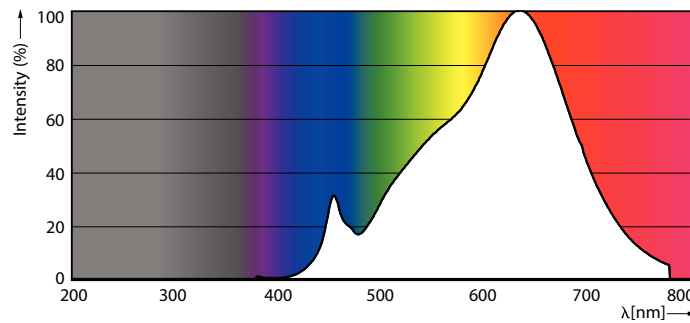
Dimensional drawing



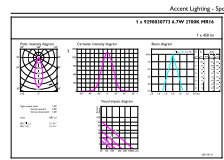
MASTER LED MR16 ExpertColor 6.7-50W 927 36D

| Product | D | C |
|---|---------|-------|
| MASTER LED MR16 ExpertColor 6.7-50W 927 36D | 50.5 mm | 46 mm |

Photometric data



LEDspots MAS IC 6,7W MR16 GU5,3 927 60D-POC

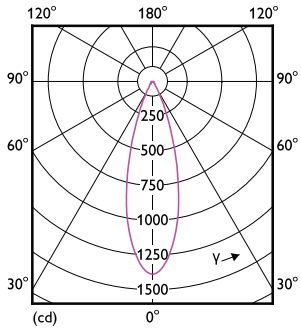


OSRAM Professional LV | Philips Lighting LV | Page 1/1

LEDspots GMGC 1 6,7W MR16 GU5,3 927 36D-ADL

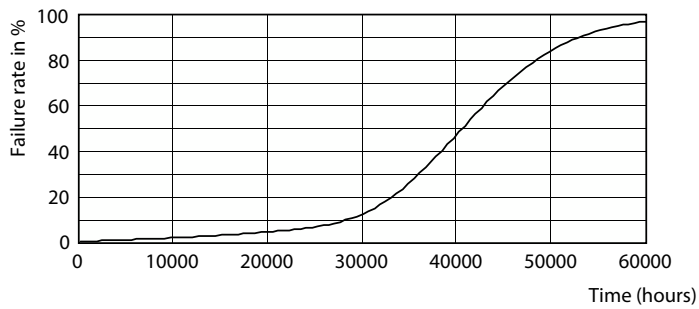
MASTER LEDspot ExpertColor LV

Photometric data

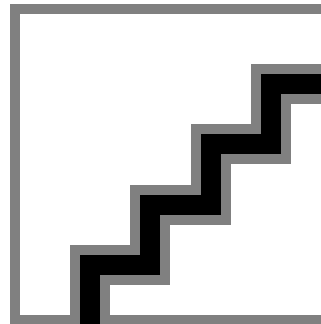


LEDspots GMGC 1 6,7W MR16 GU5,3 927 36D-LDD

Lifetime



Life Expectancy Diagram



Lumen Maintenance Diagram

