

MASTER LEDspot LV

MASTER LED 6.5-50W 927 MR16 36D Dim

Delivering intense accent beam, MASTER LEDspot LV is an ideal retrofit solution for spot lighting. MASTER LEDspot LV is designed to replace halogen or incandescent spots. It realizes natural colors, enables cozy and comfortable ambience for residential, hospitality and emphasizes the beauty of merchandise in retail. New smaller housing provides perfect fitting with majority of luminaires in a market with a MR16 GU 5.3 holder. It not only employs Philips' patented solution to guarantee the broadest possible compatibility with standard 12V halogen electronic transformers, it also delivers high beam intensity which is equivalent to halogen MR16 spots. The dimming function enables to create the desired atmosphere and it works with broad selection of dimmers. Its high SDCM ensure stricter color consistency, that is maintained over product life. MASTER LEDspot LV delivers huge energy savings and minimizes maintenance cost without any compromise on light quality and lifetime, enabling residential and business owners to achieve a return on their investment within short period time.

Product data

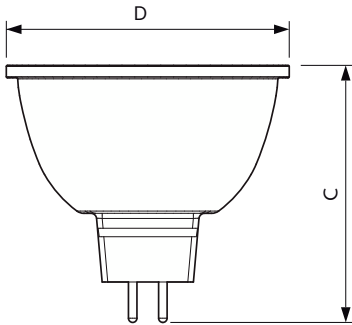
General information		Luminous Efficacy (rated) (Nom)	
Cap-Base	GU5.3 [GU5.3]		76.00 lm/W
EU RoHS compliant	Yes	Color Consistency	<4
Nominal Lifetime (Nom)	40000 h	Color Rendering Index (Nom)	90
Switching Cycle	50000X	LLMF At End Of Nominal Lifetime (Nom)	70 %
Light technical		Operating and electrical	
Color Code	927 [CCT of 2700K]	Input Frequency	- Hz
Beam Angle (Nom)	36 °	Power (Rated) (Nom)	6.5 W
Luminous Flux (Nom)	500 lm	Lamp Current (Nom)	650 mA
Luminous Intensity (Nom)	1400 cd	Wattage Equivalent	50 W
Color Designation	Warm White (WW)	Starting Time (Nom)	0.5 s
Correlated Color Temperature (Nom)	2700 K	Warm Up Time to 60% Light (Nom)	0.5 s
		Power Factor (Nom)	0.7

MASTER LEDspot LV

Voltage (Nom)	ac electronic 12 V
Temperature	
T-Case Maximum (Nom)	90 °C
Controls and dimming	
Dimmable	Only with specific dimmers
Mechanical and housing	
Bulb Shape	MR16 [2inch/50mm]
Approval and application	
Suitable For Accent Lighting	Yes

Product data	
Full product code	871951435787700
Order product name	MASTER LED 6.5-50W 927 MR16 36D Dim
EAN/UPC - Product	8719514357877
Order code	929003072208
Numerator - Quantity Per Pack	1
Numerator - Packs per outer box	10
Material Nr. (12NC)	929003072208
Copy Net Weight (Piece)	0.060 kg

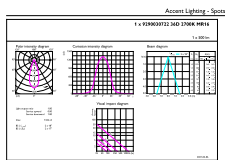
Dimensional drawing



MASTER LED 6.5-50W 927 MR16 36D Dim

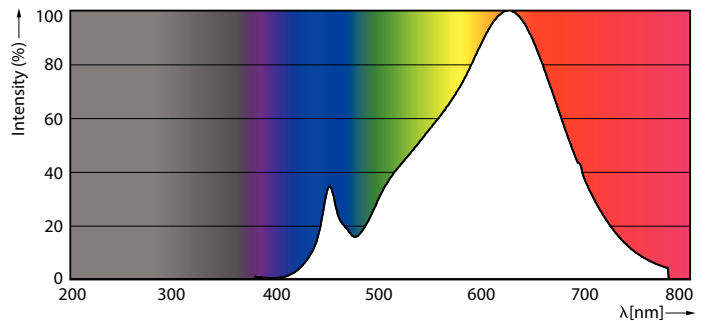
Product	D	C
MASTER LED 6.5-50W 927 MR16 36D Dim	50 mm	

Photometric data



GMGCLA 6,5W MR16 GU5,3 927 24D-POC

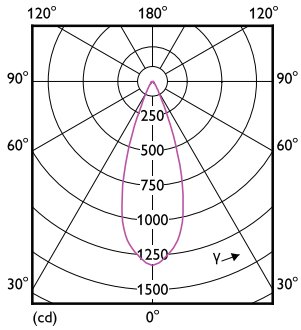
LEDspots GMGCLA 6,5W MR16 GU5,3 927 36D-ADL



LEDspots GMGCLA 6,5W MR16 GU5,3 927 24D-POC

MASTER LEDspot LV

Photometric data



LEDspots GMGCLA 6,5W MR16 GU5,3 927 36D-LDD

Lifetime



Life Expectancy Diagram



Lumen Maintenance Diagram

