



MASTER LEDspot LV AR111

MAS LED ExpertColor 15-75W 927 AR111 24D

Delivering a warm, halogen-like accent beam, MASTER LEDspot LV AR111 is an ideal retrofit solution for spot and general lighting applications in the hospitality and retail industry. It is particularly suitable for general lighting where the light is on all the time, such as creative accent lighting applications in shops, restaurants, hotels, and especially for galleries, exhibitions and museums. The robustly designed MASTER LEDspot LV AR111 offers various beam angles for a clearly defined beam spread. There is no UV or IR in the beam, making it suitable for illuminating heat-sensitive objects (food, organic materials, paintings, etc.). The patented intelligent driver enables broad compatibility with existing electromagnetic and electronic halogen transformers. MASTER LEDspot LV AR111 delivers huge energy savings and minimizes maintenance cost without any reduction in brightness.

Product data

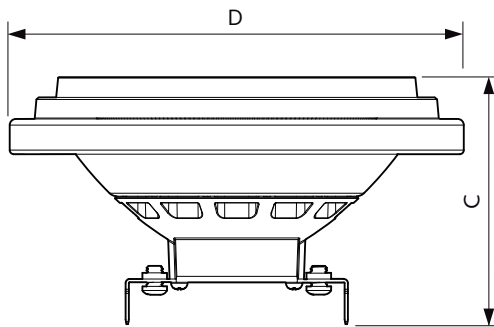
General Information		Luminous Efficacy (rated) (Nom)	
Cap-Base	G53 [G53]		63.00 lm/W
EU RoHS compliant	Yes	Color Consistency	<4
Nominal Lifetime (Nom)	40000 h	Color Rendering Index (Nom)	97
Switching Cycle	50000X	LLMF At End Of Nominal Lifetime (Nom)	70 %
Technical Type	15-75W	Operating and Electrical	
Light Technical		Input Frequency	- Hz
Color Code	927 [CCT of 2700K]	Power (Rated) (Nom)	15 W
Beam Angle (Nom)	24 °	Lamp Current (Nom)	1800 mA
Luminous Flux (Nom)	950 lm	Wattage Equivalent	75 W
Luminous Intensity (Nom)	3500 cd	Starting Time (Nom)	0.5 s
Color Designation	Warm White (WW)	Warm Up Time to 60% Light (Nom)	0.5 s
Correlated Color Temperature (Nom)	2700 K	Power Factor (Nom)	0.7

MASTER LEDspot LV AR111

Voltage (Nom)	ac electronic 12 V
Temperature	
T-Case Maximum (Nom)	74 °C
Controls and Dimming	
Dimmable	Yes
Mechanical and Housing	
Bulb Shape	AR111
Approval and Application	
Suitable For Accent Lighting	Yes

Energy Consumption kWh/1000 h	17 kWh
Product Data	
Full product code	871869969091500
Order product name	MAS LED ExpertColor 15-75W 927 AR111 24D
EAN/UPC - Product	8718699690915
Order code	929002239008
Numerator - Quantity Per Pack	1
Numerator - Packs per outer box	6
Material Nr. (12NC)	929002239008
Net Weight (Piece)	0.160 kg

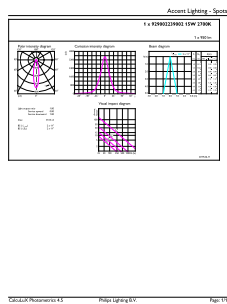
Dimensional drawing



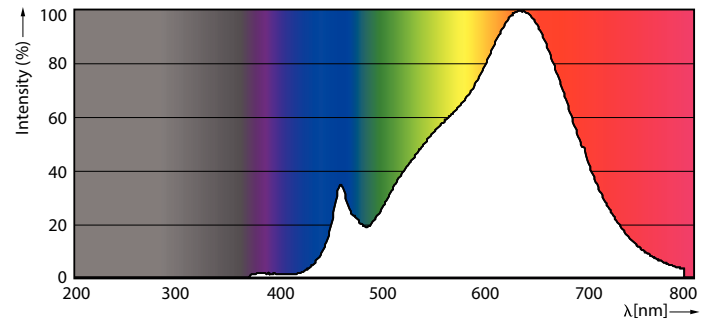
AR111 12V 15-75W 900lm 24D 2700K G53 D

Product	D	C
MAS LED ExpertColor 15-75W 927 AR111 24D	111 mm	62 mm

Photometric data



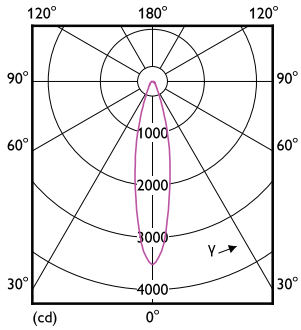
LEDspots 75W G53 AR111 927 24D



LEDspots 75W G53 AR111 927

MASTER LEDspot LV AR111

Photometric data



LEDspots 75W G53 AR111 927 24D

Lifetime



LEDspots LED 40K



LEDspots LMP 40K

