



# TownGlow LED Post Top

## BGP300 LED26 730 PSU PC SPD IN S1

· Exquisite, stylish yet classic design to beautify your space· State-of-the-art LEDs and drivers ensure better lighting performance and reliability· Comfort and safety for urban· Future-oriented COMF-8221827

### Product data

General Information	
Beam angle of light source	120°
Light source color	730 warm white
Driver included	Yes
Optic type	Symmetrical
Optical cover/lens type	UV stabilized Polycarbonate cover
Luminaire light beam spread	120°
Control interface	Analog
Protection class IEC	Safety class I (I)
Flammability mark	F [ For mounting on normally flammable surfaces]
Warranty period	3 years
Material	Pressure die cast aluminum
Optic type outdoor	Distribution symmetrical
Light source engine type	LED
Operating and Electrical	
Input Voltage	120 to 277 V
Input Frequency	50 Hz
Power Factor (Min)	>0.95

Controls and Dimming	
Dimmable	Yes
Mechanical and Housing	
Housing Material	Aluminum die-cast
Optic material	Polycarbonate
Optical cover/lens material	Polycarbonate
Mounting device	Pole Mounting
Color	Dark gray
Approval and Application	
Ingress protection code	IP66 [ Dust penetration-protected, jet-proof]
Mech. impact protection code	IK10 [ 20 J vandal-resistant]
Surge Protection (Common/Differential)	Surge protection level until 4 kV
Initial Performance (IEC Compliant)	
Initial luminous flux (system flux)	2600 lm
Initial LED luminaire efficacy	110 lm/W
Init. Corr. Color Temperature	3000 K
Init. Color Rendering Index	≥70
Initial input power	25 W

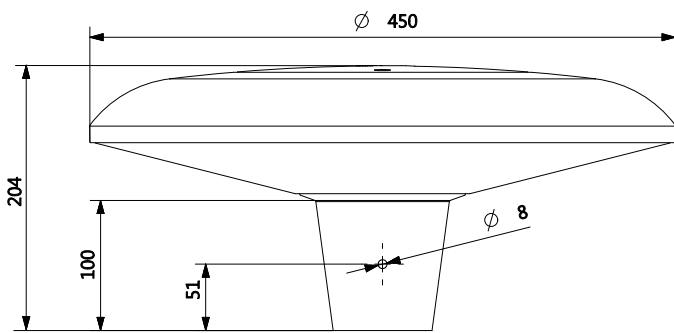
## TownGlow LED Post Top

Power consumption tolerance	+/-10%
<b>Over Time Performance (IEC Compliant)</b>	
Median useful life L70B50	50000 h
<b>Application Conditions</b>	
Ambient temperature range	+10 to +35 °C
<b>Product Data</b>	
Order product name	BGP300 LED26 730 PSU PC SPD IN S1

Order code	919515814036
Numerator - Quantity Per Pack	1
Numerator - Packs per outer box	1
Material Nr. (12NC)	919515814036
Net Weight (Piece)	4.000 kg



### Dimensional drawing



Outdoor Luminaires

