



TownGlow LED Post Top

BGP300 LED37 730 PSU PC IN S1

· Exquisite, stylish yet classic design to beautify your space· State- of-the-art LEDs and drivers ensure better lighting performance and reliability· Comfort and safety for urban· Future-orientedCOMF-8221827

Product data

| General information | |
|-----------------------------|--------------------------------------------------|
| Beam angle of light source | 120 ° |
| Light source color | 730 warm white |
| Driver included | Yes |
| Optic type | Symmetrical |
| Optical cover/lens type | UV stabilized Polycarbonate cover |
| Luminaire light beam spread | 120° |
| Control interface | Analog |
| Protection class IEC | Safety class I (I) |
| Flammability mark | F [For mounting on normally flammable surfaces] |
| Warranty period | 3 years |
| Material | Pressure die cast aluminum |
| Optic type outdoor | Distribution symmetrical |
| Light source engine type | LED |
| Operating and electrical | |
| Input Voltage | 120 to 277 V |
| Input Frequency | 50 Hz |
| Power Factor (Min) | >0.95 |

| Controls and dimming | |
|----------------------------------------|-----------------------------------------------|
| Dimmable | Yes |
| Mechanical and housing | |
| Housing Material | Aluminum die-cast |
| Optic material | Polycarbonate |
| Optical cover/lens material | Polycarbonate |
| Mounting device | Pole Mounting |
| Color | Dark gray |
| Approval and application | |
| Ingress protection code | IP66 [Dust penetration-protected, jet-proof] |
| Mech. impact protection code | IK10 [20 J vandal-resistant] |
| Surge Protection (Common/Differential) | Surge protection level until 4 kV |
| Initial performance (IEC compliant) | |
| Initial luminous flux (system flux) | 3700 lm |
| Initial LED luminaire efficacy | 110 lm/W |
| Init. Corr. Color Temperature | 3000 K |
| Init. Color Rendering Index | ≥70 |
| Initial input power | 35 W |

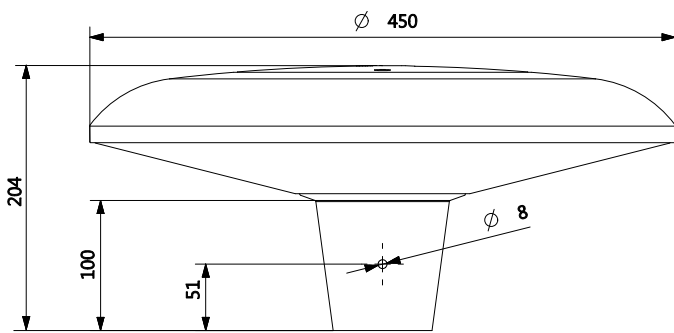
TownGlow LED Post Top

| | |
|----------------------------------------------|-------------------------------|
| Power consumption tolerance | +/-10% |
| Over time performance (IEC compliant) | |
| Median useful life L70B50 | 50000 h |
| Application conditions | |
| Ambient temperature range | +10 to +35 °C |
| Product data | |
| Order product name | BGP300 LED37 730 PSU PC IN S1 |

| | |
|---------------------------------|--------------|
| Order code | 919515814030 |
| Numerator - Quantity Per Pack | 1 |
| Numerator - Packs per outer box | 1 |
| Material Nr. (12NC) | 919515814030 |
| Net Weight (Piece) | 4.000 kg |



Dimensional drawing



BGP300 LED37 730 PSU PC IN S1

