



TownGlow LED Post Top

BGP300 LED40 740 PSU PC IN S1

· Exquisite, stylish yet classic design to beautify your space· State- of-the-art LEDs and drivers ensure better lighting performance and reliability· Comfort and safety for urban· Future-oriented COMF-8221827

Product data

General information	
Beam angle of light source	120 °
Light source color	740 neutral white
Driver included	Yes
Optic type	Symmetrical
Optical cover/lens type	UV stabilized Polycarbonate cover
Luminaire light beam spread	120°
Control interface	Analog
Protection class IEC	Safety class I (I)
Flammability mark	F [For mounting on normally flammable surfaces]
Warranty period	3 years
Material	Pressure die cast aluminum
Optic type outdoor	Distribution symmetrical
Light source engine type	LED
Operating and electrical	
Input Voltage	120 to 277 V
Input Frequency	50 Hz
Power Factor (Min)	>0.95

Controls and dimming	
Dimmable	Yes
Mechanical and housing	
Housing Material	Aluminum die-cast
Optic material	Polycarbonate
Optical cover/lens material	Polycarbonate
Mounting device	Pole Mounting
Color	Dark gray
Approval and application	
Ingress protection code	IP66 [Dust penetration-protected, jet-proof]
Mech. impact protection code	IK10 [20 J vandal-resistant]
Surge Protection (Common/Differential)	Surge protection level until 4 kV
Initial performance (IEC compliant)	
Initial luminous flux (system flux)	4000 lm
Initial LED luminaire efficacy	110 lm/W
Init. Corr. Color Temperature	4000 K
Init. Color Rendering Index	≥70
Initial input power	35 W

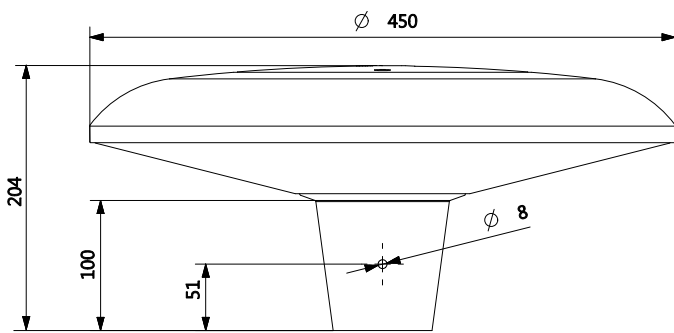
TownGlow LED Post Top

Power consumption tolerance	+/-10%
Over time performance (IEC compliant)	
Median useful life L70B50	50000 h
Application conditions	
Ambient temperature range	+10 to +35 °C
Product data	
Order product name	BGP300 LED40 740 PSU PC IN S1

Order code	919515814029
Numerator - Quantity Per Pack	1
Numerator - Packs per outer box	1
Material Nr. (12NC)	919515814029
Net Weight (Piece)	4.000 kg



Dimensional drawing



BGP300 LED40 740 PSU PC IN S1

