



MASTER LEDspot ExpertColor LV

MASTER LED MR16 ExpertColor 7.2-50W 930 10D

MASTER LEDspot LV ExpertColor creates a warm and comfortable ambience for hospitality venues, homes and restaurants. It creates such an ambience with superior lighting that has a customized spectrum, high CRI, and deep dimming feature. The result? A beautiful lighting experience. What's more, the innovative, trimless lens design will suit almost any interior decor with its clean and neat look. In addition, you can take advantage of the full ExpertColor family, which also includes LEDspot MV and LEDspot Par lamps.

Product data

General Information	
Cap-Base	GU5.3 [GU5.3]
EU RoHS compliant	Yes
Nominal Lifetime (Nom)	40000 h
Switching Cycle	50000X
Technical Type	7.2-50W
Light Technical	
Color Code	930 [CCT of 3000K]
Beam Angle (Nom)	10 °
Luminous Flux (Nom)	480 lm
Luminous Intensity (Nom)	5000 cd
Color Designation	White (WH)
Correlated Color Temperature (Nom)	3000 K
Luminous Efficacy (rated) (Nom)	66.67 lm/W
Color Consistency	<3
Color Rendering Index (Nom)	97

LLMF At End Of Nominal Lifetime (Nom) 70 %	
Operating and Electrical	
Input Frequency	- Hz
Power (Rated) (Nom)	7.2 W
Lamp Current (Nom)	800 mA
Wattage Equivalent	50 W
Starting Time (Nom)	0.5 s
Warm Up Time to 60% Light (Nom)	1 s
Power Factor (Nom)	0.7
Voltage (Nom)	12 V
Temperature	
T-Case Maximum (Nom)	92 °C
Controls and Dimming	
Dimmable	Yes

MASTER LEDspot ExpertColor LV

Mechanical and Housing

Bulb Shape MR16 [2inch/50mm]

Approval and Application

Energy Saving Product Yes

Suitable For Accent Lighting Yes

Energy Consumption kWh/1000 h - kWh

Product Data

Full product code 871869657163700

Order product name MASTER LED MR16 ExpertColor 7.2-50W 930 10D

EAN/UPC - Product 8718696571637

Order code 929001242008

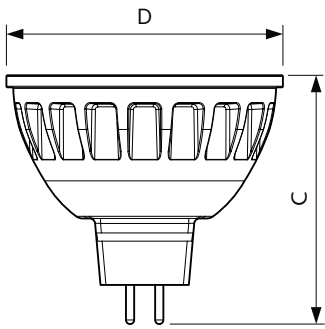
Numerator - Quantity Per Pack 1

Numerator - Packs per outer box 10

Material Nr. (12NC) 929001242008

Net Weight (Piece) 0.034 kg

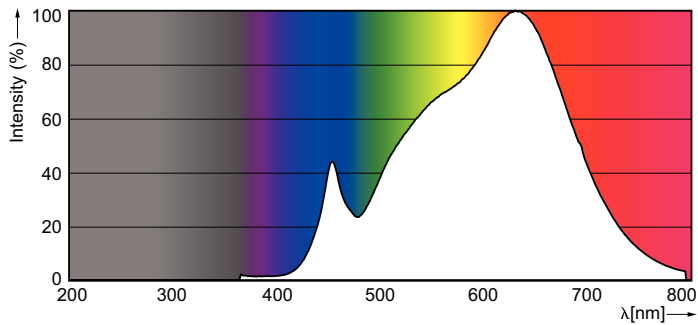
Dimensional drawing



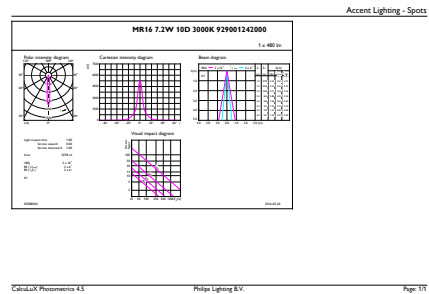
MR16 12V 7.2-50W 420lm 10D 3000K GU5.3 D

Product	D	C
MASTER LED MR16 ExpertColor 7.2-50W 930 10D	51 mm	46 mm

Photometric data



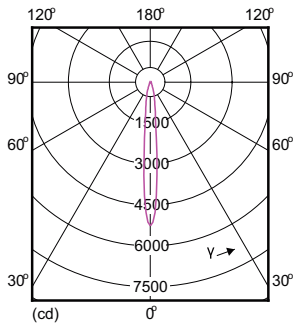
MAS LED ExpertColor 7.2-50W MR16 GU5.3 930



MAS LED ExpertColor 7.2-50W MR16 GU5.3 930 10D

MASTER LEDspot ExpertColor LV

Photometric data



MAS LED ExpertColor 7.2-50W MR16 GU5.3 930 10D

