



Dynalite System Integration

DDNG485

Flexible network communications gateway for DyNet RS-485 networks

Flexible network communications gateway for DyNet RS-485 networks

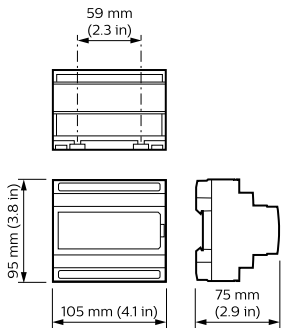
Product data

General Information	
CE mark	CE mark
Remarks	Please download the Lighting - Product Data Sheet for more information and ordering options
EU RoHS compliant	Yes
Application Conditions	
Ambient temperature range	0 to +50 °C
Product Data	
Full product code	871016350787300

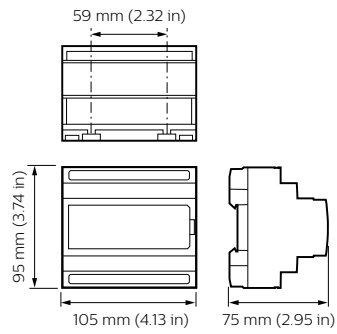
Order product name	DDNG485
EAN/UPC - Product	8710163507866
Order code	913703081209
Numerator - Quantity Per Pack	1
Numerator - Packs per outer box	1
Material Nr. (12NC)	913703081209
Net Weight (Piece)	0.170 kg

Dynalite System Integration

Dimensional drawing



Dynalite System Integration



Dynalite System Integration

