



# Dynalite Leading Edge Dimmers

## DTE1210

12 channel Trailing Edge Dimmer Controller with a maximum load per channel of 10 A.

The Philips Dynalite DTE1210 trailing edge dimmer controller features 12 channels, with a maximum load per channel of 10 A and a total box load of 120 A. - The trailing edge output makes the device suitable for control of both trailing and leading edge electronic transformers, as well as incandescent lamps and track lighting. - Operates from three phase supply Voltage regulation and soft start technologies Naturally ventilated Interface to other devices Internal controls Options available

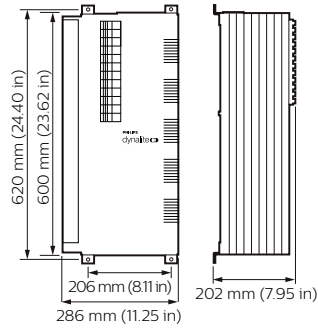
### Product data

| General Information       |   |
|---------------------------|---|
| CE mark                   | CE mark   |
| Remarks                   | Please download the Lighting - Product Data Sheet for more information and ordering options |
| EU RoHS compliant         | Yes   |
| Application Conditions    |   |
| Ambient temperature range | 0 to +40 °C   |
| Product Data              |   |
| Full product code         | 871016350586200   |

|                                 |               |
|---------------------------------|---------------|
| Order product name              | DTE1210       |
| EAN/UPC - Product               | 8710163505862 |
| Order code                      | 913703022009  |
| Numerator - Quantity Per Pack   | 1             |
| Numerator - Packs per outer box | 1             |
| Material Nr. (12NC)             | 913703022009  |
| Net Weight (Piece)              | 16.000 kg     |

# Dynalite Leading Edge Dimmers

## Dimensional drawing



Dynalite Trailing Edge Dimmers

Dynalite Trailing Edge Dimmers

