



UNIUrban

ZCP461 Dome cover

Accessory - UNIUrban

UNIUrban is ideal for the urban lighting across the sidewalks, parks, gardens, residential areas, shopping center plazas. Its exquisite, stylish yet classic design is not only suitable for modern cities but also for historical architecture.

Product data

General Information	
CE mark	-
Material	Aluminum
Accessory color	Dark gray

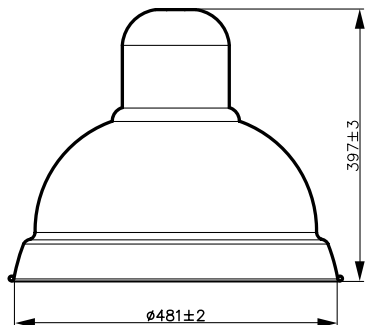
Mechanical and Housing	
Overall height	400 mm
Overall diameter	483 mm
Dimensions (Height x Width x Depth)	400 x NaN x NaN mm (15.7 x NaN x NaN in)

Approval and Application	
Ingress protection code	- [-]
Mech. impact protection code	IK02 [0.2 J standard]

Product Data	
Full product code	911401727832
Order product name	ZCP461 Dome cover
Order code	911401727832
Numerator - Quantity Per Pack	1
Numerator - Packs per outer box	4
Material Nr. (12NC)	911401727832
Net Weight (Piece)	1.149 kg



Dimensional drawing



UNIUrban ZSP461/ZCP461

