



UNIUrban

ZSP461 Screw-thread 255mm

Accessory - UNIUrban

UNIUrban is ideal for the urban lighting across the sidewalks, parks, gardens, residential areas, shopping center plazas. Its exquisite, stylish yet classic design is not only suitable for modern cities but also for historical architecture.

Product data

General Information	
CE mark	-
Material	Steel
Accessory color	Dark gray

Mechanical and Housing	
Overall height	255 mm
Overall diameter	27 mm
Dimensions (Height x Width x Depth)	255 x NaN x NaN mm (10 x NaN x NaN in)

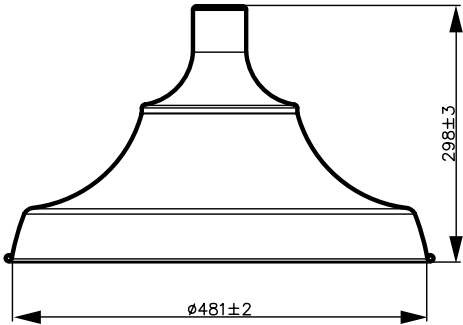
Approval and Application	
Ingress protection code	- [-]
Mech. impact protection code	IK08 [5 J vandal-protected]

Product Data	
Full product code	911401727812
Order product name	ZSP461 Screw-thread 255mm
Order code	911401727812
Numerator - Quantity Per Pack	1
Numerator - Packs per outer box	20
Material Nr. (12NC)	911401727812
Net Weight (Piece)	0.399 kg



UNIUrban

Dimensional drawing



UNIUrban ZSP461/ZCP461

