



# MASTER LEDspot LV - The ideal solution for spot lighting

## MASTER LEDspot LV

Delivering a warm, halogen-like accent beam, MASTER LEDspot LV is an ideal retrofit solution for spot and general lighting applications in the hospitality industry. It is particularly suited to public areas such as receptions, lobbies, corridors, stairwells and washrooms, where the light is on all the time. The robustly designed MASTER LEDspot offers a choice of beam angles for a clearly defined beam spread. There is no UV or IR in the beam, making it suitable for illuminating heat-sensitive objects (food, organic materials, paintings, etc.). The patented intelligent driver enables broad compatibility with existing electromagnetic and electronic halogen transformers. The dimmable versions drive further efficiencies, while helping to create the desired atmosphere.

### Benefits

- Up to 80% energy saving compared with halogen lamp
- Broad compatibility with transformers
- Retrofittable with low-voltage MR16 halogen lamps with GU5.3 socket

### Features

- dimmable (the 7-35W and 10-50W versions)
- patented intelligent driver
- air movement mechanism (active fan cooling) with very low sound levels
- lifetime of 25,000 to 45,000 hours
- CRI90 (MR11 only)

### Application

- Ideal for accent lighting in hotels, hospitals, shops and museums (e.g. floors, elevators, displays)

# MASTER LEDspot LV

## Warnings and Safety

- Operating temperature range is between -20° C and 45° C ambient
- Only to apply in dry or damp locations and most of open fixtures with lamp-holders that offer sufficient space (10 mm free air space)
- Not intended for use with emergency light fixtures or exit lights

## Versions

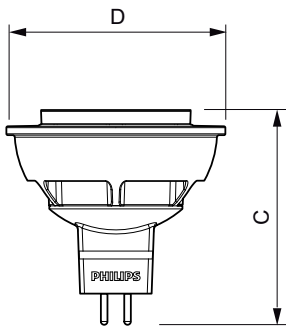


GU5.3 MR16



GU5.3 MR16

## Dimensional drawing



Product	D	C
MASTER LED 4-35W 2700K MR16 36D	50 mm	49 mm
MASTER LED 5.5-50W 4000K MR16 24D	50.2 mm	49 mm
MASTER LED 5.5-50W 2700K MR16 36D	50.2 mm	49 mm
MASTER LED 5.5-50W 2700K MR16 24D	50.2 mm	49 mm
MASTER LED 5.5-50W 3000K MR16 24D	50.2 mm	49 mm

# MASTER LEDspot LV

## Controls and Dimming

Dimmable	No
----------	----

## Operating and Electrical

Input Frequency	- Hz
Voltage (Nom)	12 V
Starting Time (Nom)	0.5 s

## General Information

Cap-Base	GU5.3
Nominal Lifetime (Nom)	25000 h
Switching Cycle	50000X

## Light Technical

Color Rendering Index (Nom)	80
Llmf At End Of Nominal Lifetime (Nom)	70 %

## Mechanical and Housing

Bulb Shape	MR16
------------	------

## Approval and Application

Order Code	Full Product Name	Energy Consumption kWh/1000 h
929001145908	MASTER LED 5.5-50W 2700K MR16 24D	- kWh
929001146108	MASTER LED 5.5-50W 2700K MR16 36D	- kWh
929001146708	MASTER LED 5.5-50W 3000K MR16 24D	- kWh
929001146808	MASTER LED 5.5-50W 4000K MR16 24D	- kWh
929001147508	MASTER LED 4-35W 2700K MR16 36D	4 kWh

## Operating and Electrical

Order Code	Full Product Name	Wattage Equivalent	Power (Rated) (Nom)
929001145908	MASTER LED 5.5-50W 2700K MR16 24D	50 W	5.5 W
929001146108	MASTER LED 5.5-50W 2700K MR16 36D	50 W	5.5 W
929001146708	MASTER LED 5.5-50W 3000K MR16 24D	50 W	5.5 W

Order Code	Full Product Name	Wattage Equivalent	Power (Rated) (Nom)
929001146808	MASTER LED 5.5-50W 4000K MR16 24D	50 W	5.5 W
929001147508	MASTER LED 4-35W 2700K MR16 36D	20 W	4 W

## Light Technical (1/2)

Order Code	Full Product Name	Beam		Correlated Color	
		Angle (Nom)	Color Code	Temperature (Nom)	Luminous Flux (Nom)
929001145908	MASTER LED 5.5-50W 2700K MR16 24D	24 °	827	2700 K	415 lm
929001146108	MASTER LED 5.5-50W 2700K MR16 36D	36 °	827	2700 K	415 lm
929001146708	MASTER LED 5.5-50W 3000K MR16 24D	24 °	830	3000 K	425 lm

Order Code	Full Product Name	Beam		Correlated Color	
		Angle (Nom)	Color Code	Temperature (Nom)	Luminous Flux (Nom)
929001146808	MASTER LED 5.5-50W 4000K MR16 24D	24 °	841	4000 K	450 lm
929001147508	MASTER LED 4-35W 2700K MR16 36D	36 °	827	2700 K	240 lm

## Light Technical (2/2)

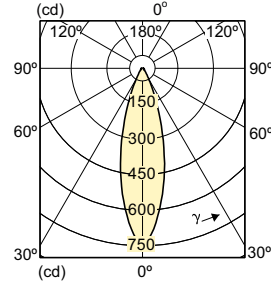
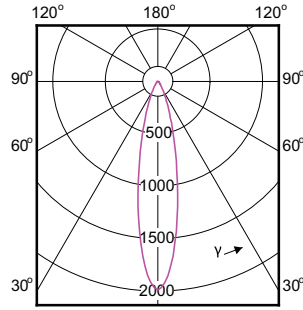
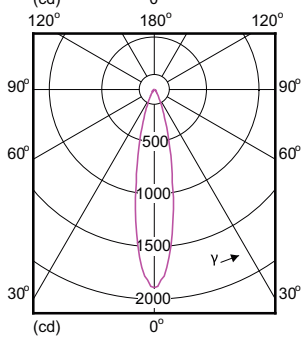
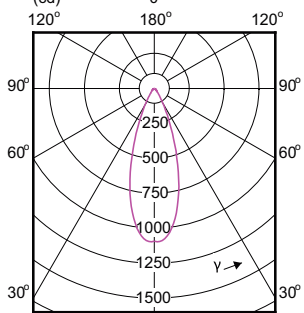
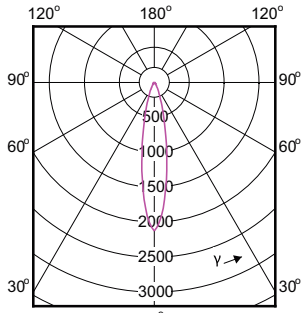
Order Code	Full Product Name	Luminous Intensity (Nom)
929001145908	MASTER LED 5.5-50W 2700K MR16 24D	1800 cd
929001146108	MASTER LED 5.5-50W 2700K MR16 36D	1000 cd
929001146708	MASTER LED 5.5-50W 3000K MR16 24D	1800 cd

Order Code	Full Product Name	Luminous Intensity (Nom)
929001146808	MASTER LED 5.5-50W 4000K MR16 24D	1800 cd
929001147508	MASTER LED 4-35W 2700K MR16 36D	550 cd

# MASTER LEDspot LV

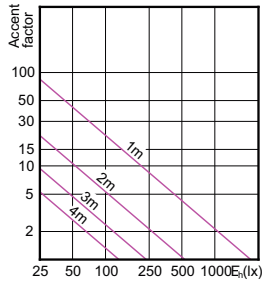
## Temperature

Order Code	Full Product Name	T-Case Maximum (Nom)
929001145908	MASTER LED 5.5-50W 2700K MR16 24D	95 °C
929001146108	MASTER LED 5.5-50W 2700K MR16 36D	95 °C
929001146708	MASTER LED 5.5-50W 3000K MR16 24D	95 °C
929001146808	MASTER LED 5.5-50W 4000K MR16 24D	95 °C
929001147508	MASTER LED 4-35W 2700K MR16 36D	65 °C

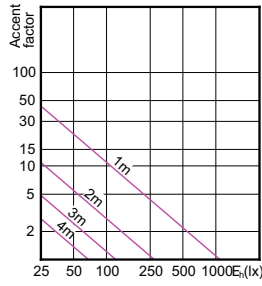


# MASTER LEDspot LV

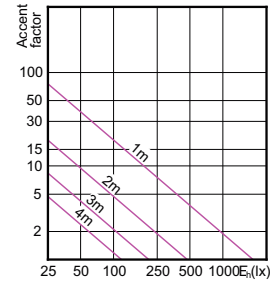
## Accent Diagrams



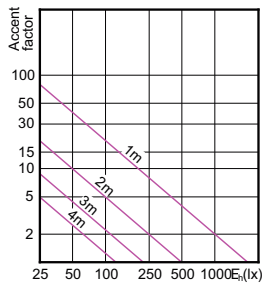
**MASTER LED 5.5-50W MR16 GU5.3 2700K**  
415lm 24D



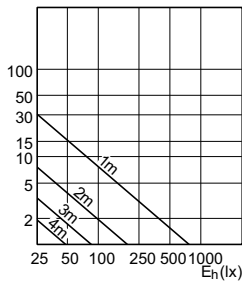
**MASTER LED 5.5-50W MR16 GU5.3 2700K**  
415lm 36D



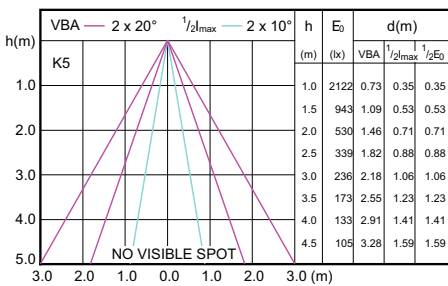
**MASTER LED 5.5-50W MR16 GU5.3 3000K**  
425lm 24D



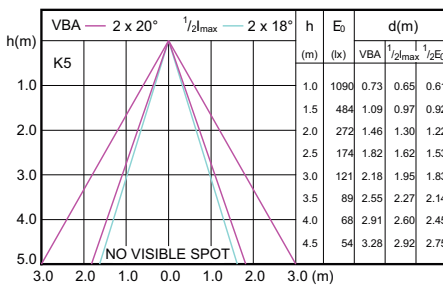
**MASTER LED 5.5-50W MR16 GU5.3 4000K**  
450lm 24D



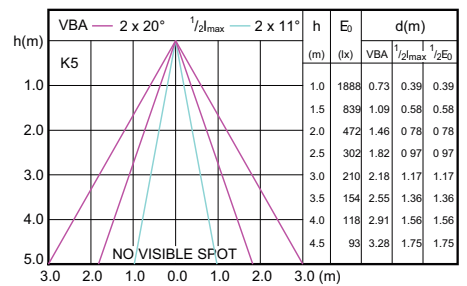
## Beam Diagrams



**MASTER LED 5.5-50W MR16 GU5.3 2700K**  
415lm 24D



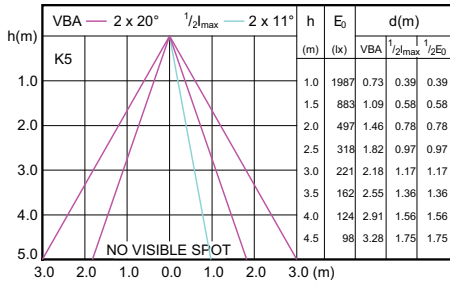
**MASTER LED 5.5-50W MR16 GU5.3 2700K**  
415lm 36D



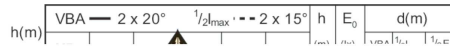
**MASTER LED 5.5-50W MR16 GU5.3 3000K**  
425lm 24D

# MASTER LEDspot LV

## Beam Diagrams



MASTER LED 5.5-50W MR16 GU5.3 4000K  
450lm 24D



SDBE\_LEDspotL\_0114-Beam diagram

