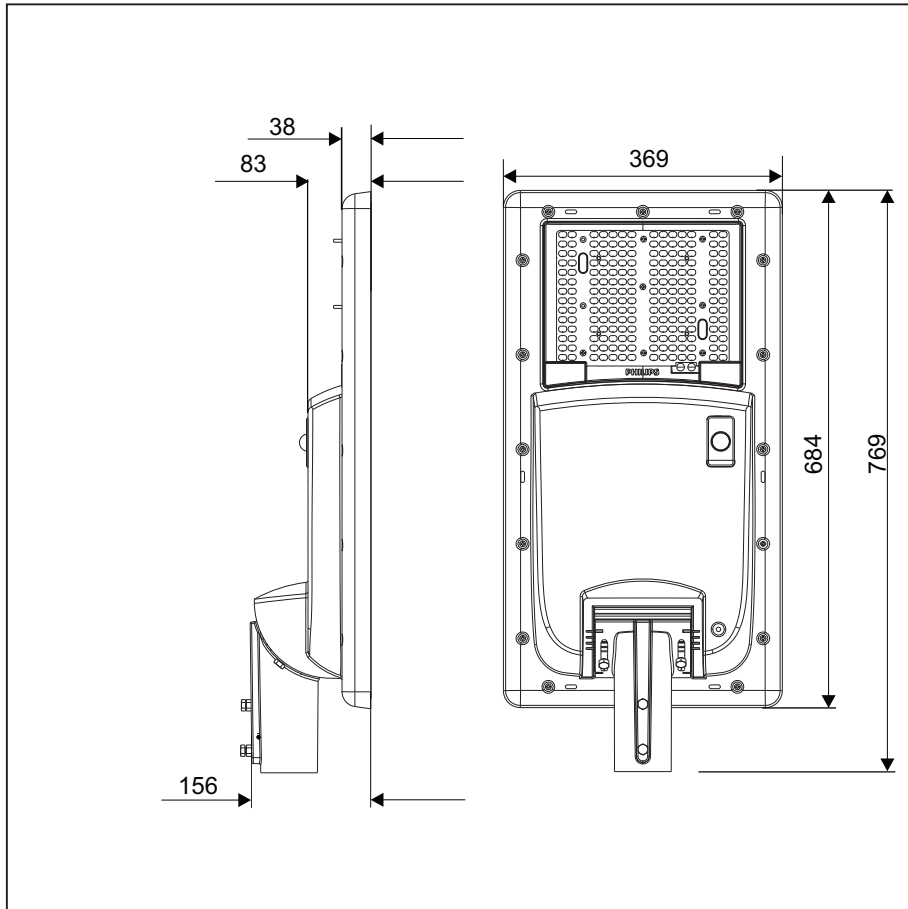


Dimensions

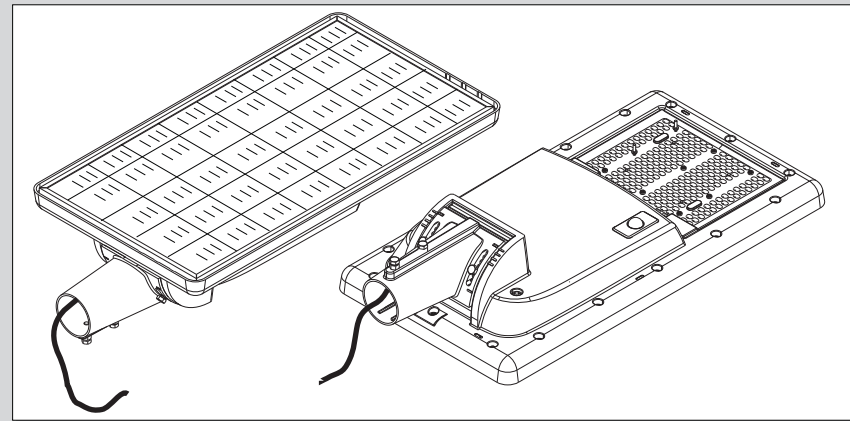


IP-65

ta  
35°



Solar Street Luminaire



44115 109 23580

Type	: BRP710
Lamp	LED (2000 lumen) LED (3000 lumen)
Voltage	: 12.8 V DC
IP Classification	: IP 65
Net Weight	: 9 Kg (2000 lumen) 10.5 Kg (3000 lumen)
Max. Projected Area	: 0.286 m <sup>2</sup>

**1** Take the product out of the packing box.

Shrink Wrap  
Protective Cover  
Luminaire  
Mounting Bracket  
3 Core cable

Note: Remove Shrink Wrap and Protective cover before installation.

**2** Pass the wire through the pole and mount the luminaire

**7** After installation and during commissioning of luminaire, first press the switch to switch it ON and then connect AC 230Vrms input to the luminaire.

Switch

**3** Mount the luminaire with the Pole.

Horizontal Mounting

Vertical Mounting

Note: Tightened the bolts with torque of 8Nm.

Pole Dia: 48 to 60mm

**4** For Vertical Mounting installation Unscrew the Screw and remove the pole Mounting Bracket and assemble it as shown in Fig. B.

Fig. A  
Fig. B

**5** Below mentioned inclinations are possible. 0°, 5°, 10°, 15°.

0°-15°

**6** For accurate angle positioning, marks are made over the clamping position of the luminaire. Match the pole mounting piece marking with luminaire marking

15°  
10°  
5°  
0°

### Precaution:

1. This luminaire will not operate below 0 degree ambient.
2. Maximum installation height is 5m.
3. Before installation check the luminaire by pressing the switch and make sure that it is glowing.
4. After three months of manufacturing it is necessary to check the glowing of the luminaire, if it is not working then contact to customer care.
5. After installation and during commissioning of luminaire, first press the switch to switch it ON and then connect AC 230Vrms input to the luminaire.
6. If two red and orange colour LED's start blinking then first remove AC input connections and press the switch to switch off the luminaire and wait for min two minutes. Subsequently follow same commissioning sequence as per point no. 5